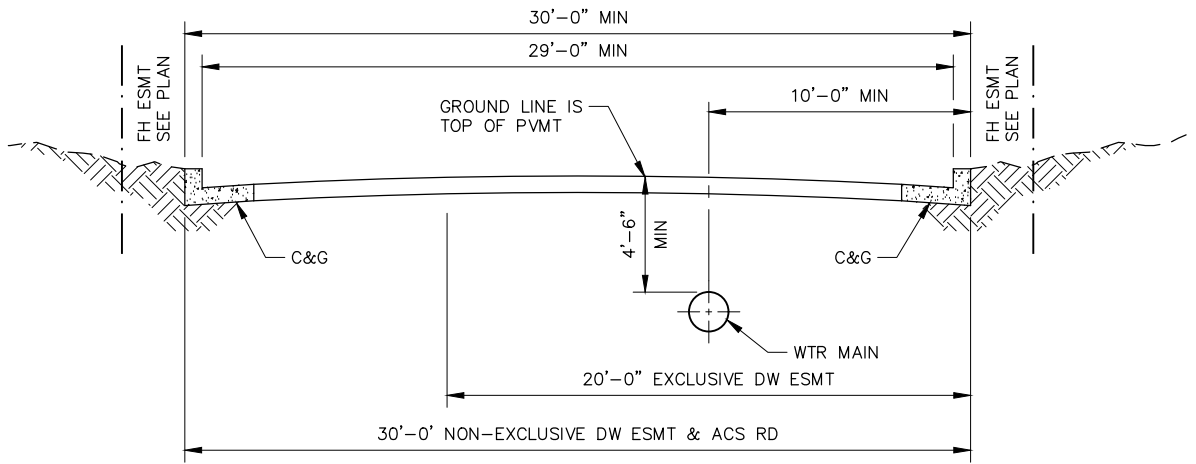
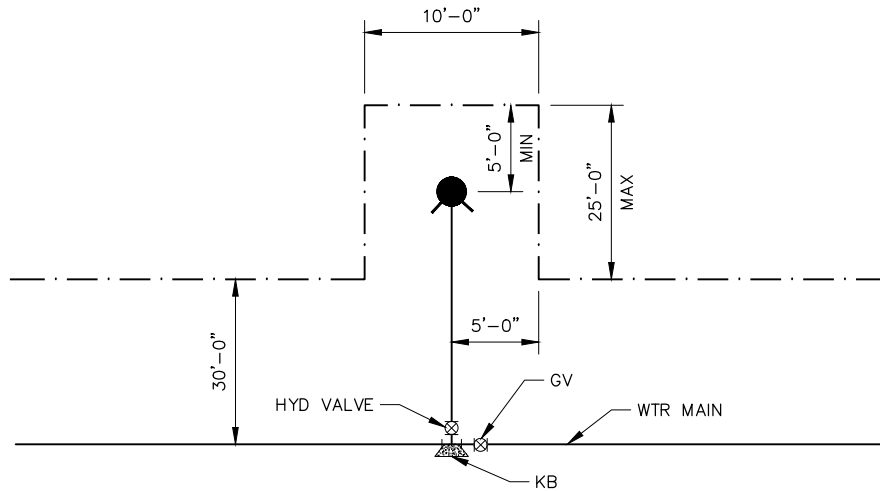


CURB AND GUTTER WITH SIDEWALK



CURB AND GUTTER ONLY



FIRE HYDRANT EASEMENT PLAN

ERRATA 2



TYPICAL PRIVATE STREET SECTION

Scale: NONE Date: January 2020

Drawn: RLB Ck: K ROSS

Approved: *[Signature]* Dr. 127 No. 35