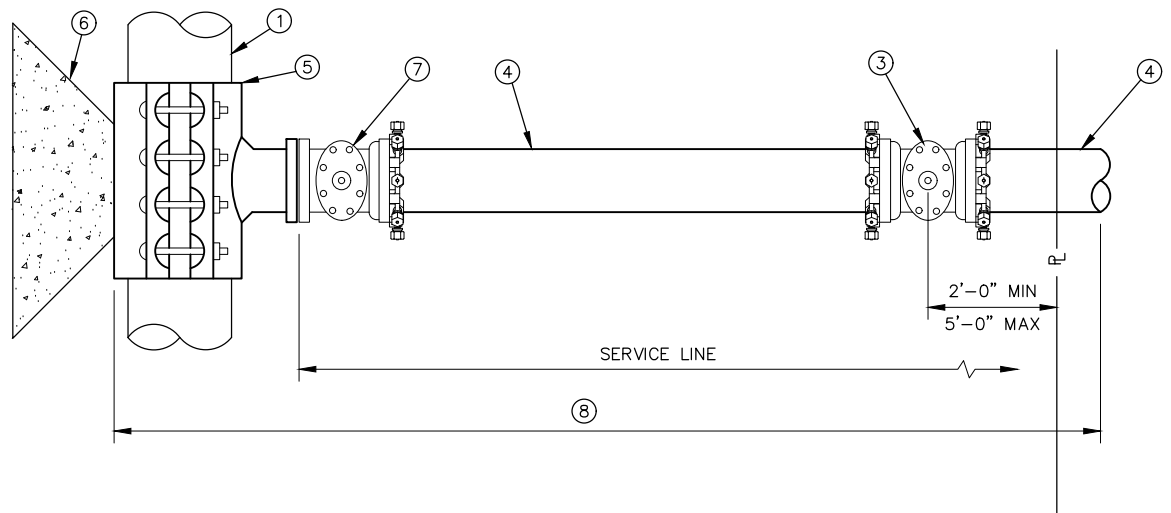


PROPOSED MAIN



EXISTING MAIN

ERRATA 2

KEY NOTES:

- ① EXIST WTR MAIN
- ② MJ ANCHORING TEE
- ③ MJ GV
- ④ DI PIPE FULLY RESTRAINED
- ⑤ TAPPING SLV
- ⑥ CONC KB
- ⑦ TAPPING VALVE FLG x MJ
- ⑧ POLYETHYLENE WRAPPED



3" & LARGER DOMESTIC & FIRELINE CONNECTIONS

Scale: <u> NONE </u>	Date: <u> May 2018 </u>
Drawn: <u> RLB </u>	Ck: <u> K ROSS </u>
Approved: <u> <i>[Signature]</i> </u>	Dr. <u> 127 </u> No. <u> 35 </u>