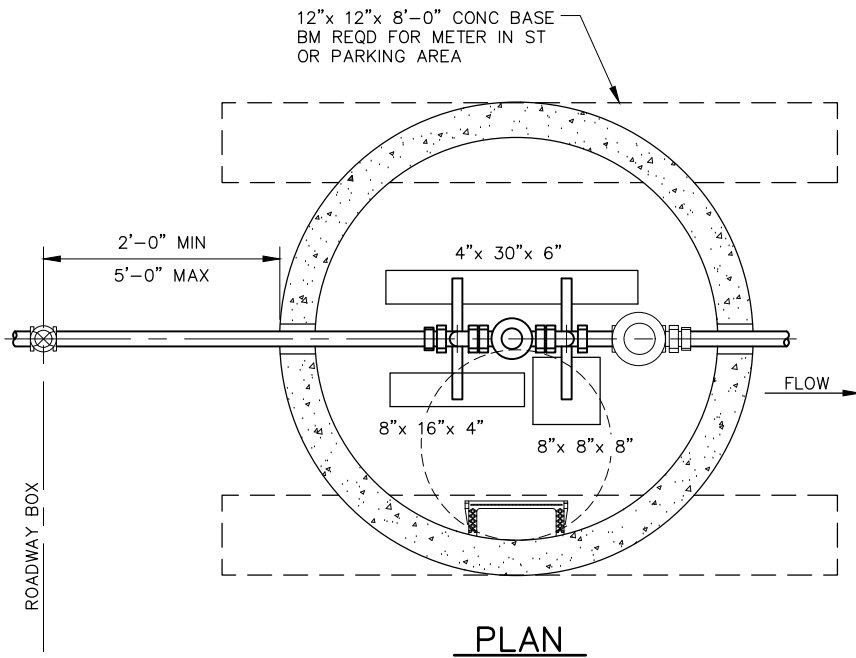
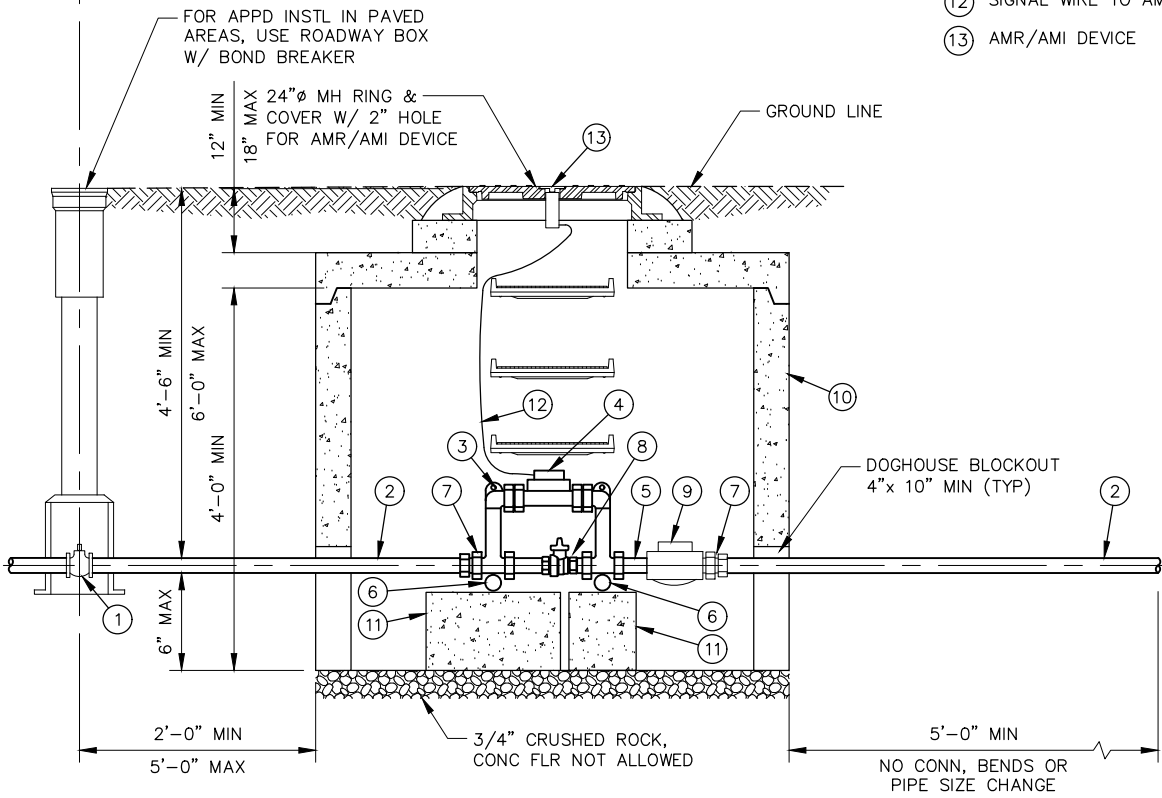


KEY NOTES:

- ① CURB STOP
- ② TYPE "K" CU TUBING
- ③ 1 1/2" OR 2" COPPERSETTER/METER YOKE W/ BYPASS
- ④ WTR METER W/ ENCODER REGISTER
- ⑤ 3" NIPPLE BTWN COPPERSETTER & CHKV
- ⑥ 1"x 23" BSP-40
- ⑦ IRON PIPE TO FLARE CPLG FROM INLET SIDE OF COPPERSETTER & OUTLET SIDE OF CHKV
- ⑧ BYPASS W/ VALVE WILL BE 1" FOR 1 1/2" COPPERSETTERS & 1 1/2" OR 1 1/4" FOR 2" COPPERSETTERS; NO BYPASS FOR IRR METERS
- ⑨ CHKV (CHKV NOT REQD WHERE A BFP DEVICE IS INSTL) CHKV MAY BE REQD IF DIST TO BFP ASSY ALLOWS EXCESSIVE WTR TO DR DURING METER MAINTENANCE
- ⑩ 48"Ø PRECAST CONC MH
- ⑪ 4"x 30"x 6" (TYP OF 2) OR 8"x 8"x 8" (TYP OF 4) OR 8"x 16"x 4" (TYP OF 4) CONC BLOCK SPRT
- ⑫ SIGNAL WIRE TO AMR/AMI DEVICE
- ⑬ AMR/AMI DEVICE



PLAN



ELEVATION

ERRATA 2

NOTES:

- 1. CURB STOP SHALL BE 2-FEET MINIMUM FROM THE INLET SIDE OF THE METER MANHOLE.
- 2. THE COPPERSETTER OR METER YOKE SHALL BE 12-INCH HIGH MAXIMUM.
- 3. GROUT DOGHOUSE BLOCKOUTS AFTER SERVICE LINE INSTALLATION.
- 4. INSTALL METER MANHOLE AND SERVICE LINE IN ACCORDANCE WITH SPECIFICATION SECTION 3.02.



OUTSIDE SETTING FOR 1 1/2" & 2" METER WITH CHECK VALVE & BYPASS IN MANHOLE

Scale: <u> NONE </u>	Date: <u> January 2020 </u>
Drawn: <u> RLB </u>	Ck: <u> K ROSS </u>
Approved: <u> <i>[Signature]</i> </u>	Dr. <u> 127 </u> No. <u> 35 </u>