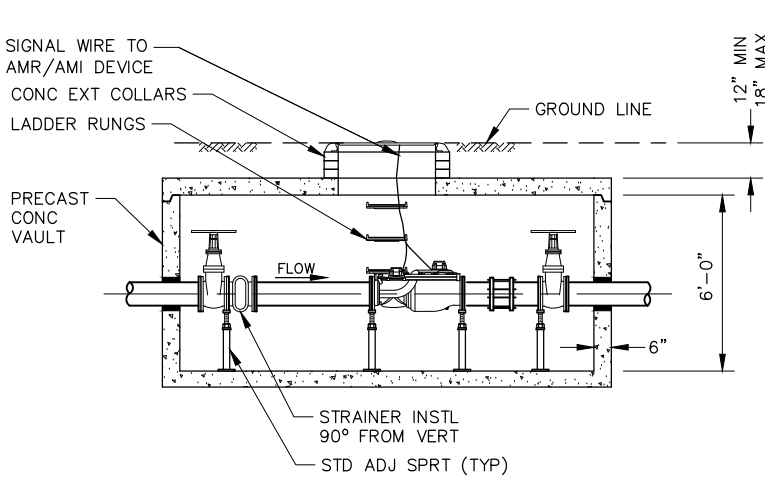
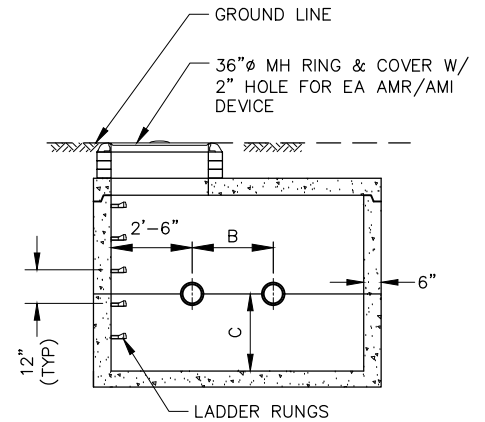


PLAN



SECTION A
THIS SHT



SECTION B
THIS SHT

METER SIZE & NOMINAL PIPE Ø	PRECAST VAULT DIMENSIONS			SUMP		
	A	B	C	D	E	F
3"	9'-0"	2'-0"	2'-2"	12"Ø	2'-2"	1'-6"
4"	9'-0"	2'-6"	2'-2"	12"Ø	2'-2"	1'-6"
6"	9'-0"	2'-6"	2'-2"	12"Ø	2'-2"	1'-6"
8"	13'-6"	2'-6"	2'-6"	18"Ø	2'-6"	1'-9"
10"	13'-6"	2'-6"	2'-6"	18"Ø	2'-6"	1'-9"

ERRATA 2

NOTES:

1. VALVES INSIDE THE VAULT SHALL BE NON RISING STEM, RIGHT HAND OPEN VALVES WITH HAND WHEEL OPERATORS.
2. A CHECK VALVE IS REQUIRED BETWEEN COUPLING AND GATE VALVE IF BACKFLOW PREVENTION ASSEMBLY IS MORE THAN 150- FEET FROM VAULT.
3. INSTALL METER VAULT AND SERVICE LINE IN ACCORDANCE WITH SPECIFICATION SECTION 3.02.
4. SERVICE LINES SHALL NOT CROSS INSIDE THE METER VAULT.



LARGE METER IN VAULT

Scale: NONE Date: January 2020

Drawn: RLB Ck: K ROSS

Approved: *[Signature]* Dr. 127 No. 35